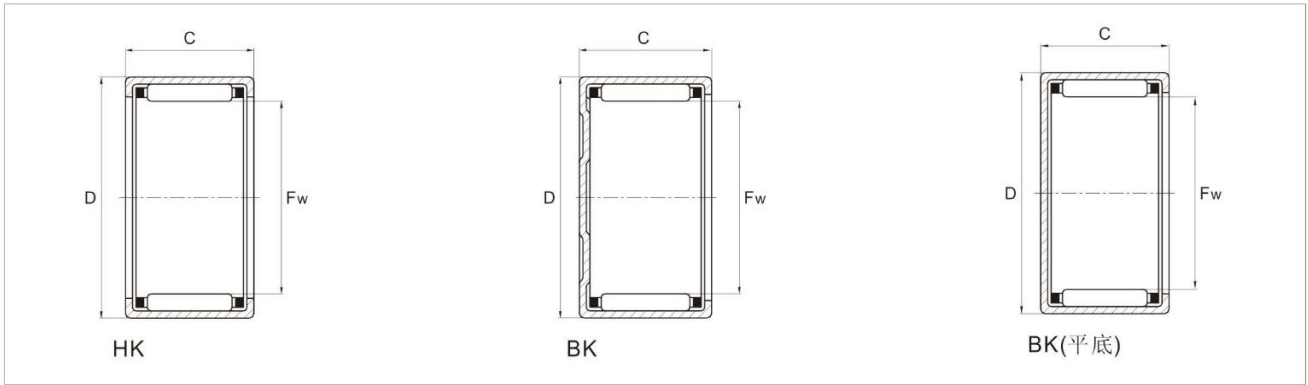


■ 冲压外圈滚针轴承

Drawn cup needle roller bearings



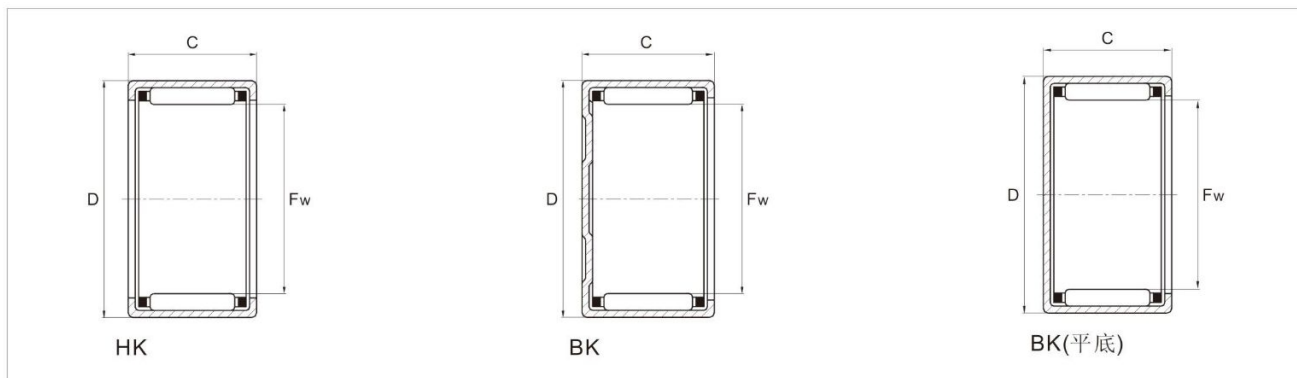
轴 径 Shaft Diameter	轴 承 型 号 与 近 似 重 量 Bearing Designation and mass approx						外 形 尺 寸 Boundary Dimensions			基 本 额 定 负 荷 Basic Load Rating		极 限 转 速 Limiting Speed
	穿 孔 型 Open end		重 量 Mass	封 口 型 Closed end		重 量 Mass	F _w	D	C	动 Cr Dynamic	静 Cor Static	油 润 滑 Oil
mm	现 行 的 Current	被 取 代 的 Substituted	g	现 行 的 Current	被 取 代 的 Substituted	g	mm			N		rpm
4	HK 0408 TN	37941/4	1.6	BK 0408 TN	35941/4	1.8	4	8	8	1 540	1 070	40 000
5	HK 0509	47941/5	2	BK 0509	45941/5	2.1	5	9	9	2 200	1 790	36 000
6	HK 0607	27941/6	1.8	-	-	-	6	10	7	1 600	1 400	30 000
	HK 0608	37941/6	2.1	BK 0608	35941/6	2.2	6	10	8	1 830	1 550	32 000
	HK 0609	47941/6	2.2	BK 0609	45941/6	2.6	6	10	9	2 650	2 400	30 000
	HK 0611	-	2.3	-	-	-	6	10	11	1 700	1 500	29 000
	HK/06x12x08	7941/6	2.5	-	-	-	6	12	8	2 230	2 010	33 000
7	HK 0709	47941/7	2.3	BK 0709	45941/7	2.9	7	11	9	2 800	2 150	27 000
	HK/07x12x08	-	2.2	-	-	-	7	12	8	3 300	3 220	37 000
	HK/07x12x09	-	2.4	-	-	-	7	12	9	3 400	3 150	37 000
8	HK 0808	37941/8	2.7	BK 0808	35941/8	3	8	12	8	2 550	2 400	21 000
	HK 0810	57941/8	3	BK 0810	55941/8	3.4	8	12	10	3 700	3 450	21 000
	HK 08x14x10	27942/8	5.35	BK 08x14x10	25942/8	5.8	8	14	10	3 800	3 950	25 000
	HK 08x14x12	37942/8	6.6	-	-	-	8	14	12	4 100	4 320	25 000
9	HK 0908	37941/9	3	BK 0908	35941/9	3.4	9	13	8	3 650	4 050	25 000
	HK 0910	57941/9	4	BK 0910	55941/9	4.3	9	13	10	4 050	4 250	25 000
	HK 0911	-	4.1	-	-	-	9	13	11	4 300	4 700	25 000
	HK 0912	67941/9	4.6	BK 0912	65941/9	4.9	9	13	12	5 000	6 000	25 000
	HK 09x15x10	27942/9	5.6	-	-	-	9	15	10	5 300	6 300	25 000
10	HK/10x13x08	-	3.5	-	-	-	10	13	8	4 100	4 800	20 000
	HK 1010	57941/10	4.1	BK 1010	55941/10	4.3	10	14	10	3 900	4 800	19 000
	HK 1012	67941/10	4.8	BK 1012	65941/10	5	10	14	12	5 000	6 300	19 000
	HK 1015	-	6	BK 1015	-	6.2	10	14	15	6 700	7 800	19 000
	HK/10x15x15	-	6.5	-	-	-	10	15	15	6 800	8 800	18 000
	HK 10x16x10	-	6.5	BK 10x16x10	-	6.8	10	16	10	6 800	8 800	18 000
	HK 10x16x12	DB1012	7.5	-	-	-	10	16	12	6 800	8 800	18 000
	HK/10x16x15	7942/10	11	-	-	-	10	16	15	6 800	8 800	19 000
	HK/10x17x15	-	11.5	-	-	-	10	17	15	7 200	8 000	19 000
HK/10x18x12	-	8.5	-	-	-	10	18	12	7 200	8 000	19 000	
12	HK 1208	37941/12	3.3	-	-	-	12	16	8	7 200	8 000	19 000
	HK 1210	57941/12	4.6	BK 1210	55941/12	5.2	12	16	10	4 150	5 800	19 000
	HK 12x16x12	67941/12	5.6	BK 1212	65941/12	6.2	12	16	12	3 800	5 100	15 000
	HK /12x17x12	7941/12	7.5	-	-	-	12	17	12	5 100	7 000	15 000
	HK/12x17x15	7942/12	9.5	-	-	-	12	17	15	5 100	7 000	15 000
	HK/12x17x18	7943/12	11	-	-	-	12	17	18	5 100	7 000	15 000
	HK 1212	37942/12	9.1	BK 12x18x12	35942/12	10.3	12	18	12	5 500	6 300	17 000
	HK 12x18x14	67942/12	10.6	-	-	-	12	18	14	6 500	6 300	15 000
HK/12x19x12	-	10	-	-	-	12	19	12	6 800	7 400	15 000	
13	HK 1311	-	8.5	-	-	-	13	19	11	6 300	6 300	14 000
	HK 1312	-	8.9	BK1312	-	11.2	13	19	12	6 200	7 100	17 000

TN= 塑料保持架, 允许工作温度:120℃连续; 180℃短期。
脂润滑极限转速为表列数值的60%。

TN=plastic cage, permissible operating temperature: 120℃ (Continuous operation).
Limiting speed for oil lubrication. For grease lubrication, 60% of the values given in the table is permissible.

■ 冲压外圈滚针轴承

Drawn cup needle roller bearings



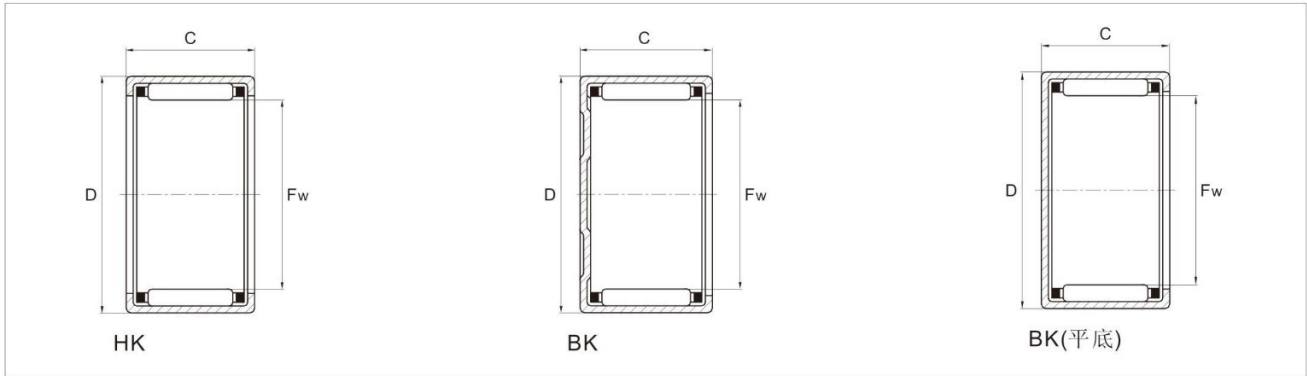
轴径 Shaft Diameter	轴承型号与近似重量 Bearing Designation and mass approx						外形尺寸 Boundary Dimensions			基本额定负荷 Basic Load Rating		极限转速 Limiting Speed
	穿孔型 Open end		重量 Mass	封口型 Closed end		重量 Mass	F _w	D	C	动 Cr Dynamic	静 Cor Static	润滑油 Oil
mm	现行的 Current	被取代的 Substituted	g	现行的 Current	被取代的 Substituted	g	mm			N		rpm
13.5	HK/13.5x20x12	7941/13.5	10.8	-	-	-	13.5	20	12	6 250	7 590	16 000
14	HK 1410	27941/14	8.3	BK 1412	35941/14	12.1	14	20	10	6 700	7 000	16 000
	HK 1412	37941/14	10.5	-	-	-	14	20	12	6 800	7 500	16 000
	HK 1416	57941/14	13.9	-	-	-	14	20	16	7 300	9 000	14 000
15	HK/15x20x12	7941/15	8.4	-	-	-	15	20	12	5 800	6 000	14 000
	HK/15x20x16	7942/15	11.4	-	-	-	15	20	16	6 000	6 200	14 000
	HK/15x20/20	7943/15	13.8	-	-	-	15	20	20	6 100	6 400	14 000
	HK 1512	37941/15	11.1	BK 1512	35941/15	12.7	15	21	12	7 000	8 400	14 000
	HK 1514	47941/15	12.7	-	-	-	15	21	14	8 500	10 400	13 000
	HK 1515	-	14.2	-	-	-	15	21	15	9 100	11 400	13 000
	HK 1516	57941/15	15	BK 1516	55941/15	16.5	15	21	16	9 800	11 400	14 000
	HK 1522	SZ-439	20.4	BK 1522	-	22	15	21	22	10 400	16 500	14 000
	HK/15x22x12	7948/15	12.5	-	-	-	15	22	12	14 300	18 400	13 000
HK/15x22x12.5	7948/15K	13.5	-	-	-	15	22	12.5	14 300	18 400	13 000	
16	HK/16x21x06	-	5.5	-	-	-	16	21	6	4 200	5 300	12 000
	HK/16x21x09	-	7.5	-	-	-	16	21	9	4 400	5 600	12 000
	HK 1612	37941/16	11.7	BK 1612	35941/16	13.8	16	22	12	7 100	9 200	14 000
	HK 1614	47941/16	14.4	-	-	-	16	22	14	8 800	9 900	12 000
	HK 1616	57941/16	15.8	BK 1616	55941/16	17.6	16	22	16	10 100	14 300	14 000
	HK 1617	SZ-435	18	-	-	-	16	22	17	12 900	17 200	12 000
	HK 1622	87941/16	21.7	BK 1622	85941/16	23.4	16	22	22	11 100	17 400	14 000
17	HK/17x21.5x15	17BTM15	10	-	-	-	17	21.5	15	6 300	8 600	11 000
	HK 1712	37941/17	12.2	BK 1712	35941/17	14.5	17	23	12	6 900	9 300	13 000
	HK 1714	7941/17	14	-	-	-	17	23	14	6 800	10 200	10 000
	HK 1716	57941/17	15.9	-	-	-	17	23	16	8 500	12 500	10 000
	HK 1718	7942/17	19	-	-	-	17	23	18	9 500	10 600	10 000
	HK/17x24x15	-	17	-	-	-	17	24	15	11 200	12 800	10 000
	HK 17x25x14	37942/17K	17.7	-	-	-	17	25	14	13 100	14 700	10 000
	HK/17x25x15.5	-	20	-	-	-	17	25	15.5	9 320	10 400	10 000
HK 17x25x18	57942/17K	23.5	-	-	-	17	25	18	9 500	10 600	11 000	
18	HK 1812	37941/18	13.1	BK 1812	35941/18	14.9	18	24	12	7 100	9 900	12 000
	HK 1816	57941/18	17.5	BK1816	55941/18	19.9	18	24	16	10 600	15 300	12 000
19	HK/19x27x16	TA1916	23	-	-	-	19	27	16	8 100	9 500	10 500
20	HK 2010	27941/20	11.8	BK 2010	25941/20	14	20	26	10	5 900	7 200	10 000
	HK 2011	-	12	-	-	-	20	26	11	7 500	9 200	9 000
	HK 2012	37941/20	14.1	BK 2012	35941/20	16.7	20	26	12	7 600	10 100	10 000
	HK 2014	47941/20	15.7	-	-	-	20	26	14	9 700	18 100	9 000
	HK 2016	57941/20	19.3	BK 2016	55941/20	22.3	20	26	16	11 700	29 100	10 000
	HK 2018	67941/20	23.3	-	-	-	20	26	18	7 900	12 800	9 000
HK 2020	7942/20	24.1	BK 2020	75941/20	27.1	20	26	20	13 700	24 000	10 000	

脂润滑极限转速为表列数值的60%。

Limiting speed for oil lubrication. For grease lubrication, 60% of the values given in the tables is permissible.

■ 冲压外圈滚针轴承

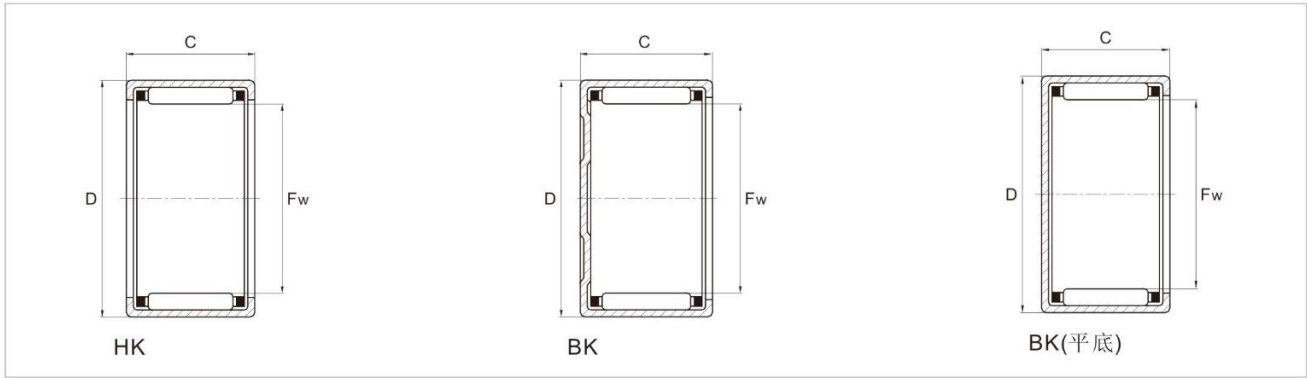
Drawn cup needle roller bearings



轴 径 Shaft Diameter	轴 承 型 号 与 近 似 重 量 Bearing Designation and mass approx						外 形 尺 寸 Boundary Dimensions			基 本 额 定 负 荷 Basic Load Rating		极 限 转 速 Limiting Speed
	穿 孔 型 Open end		重 量 Mass	封 口 型 Closed end		重 量 Mass	F _w	D	C	动 C _r Dynamic	静 C _{or} Static	油 润 滑 Oil
mm	现 行 的 Current	被 取 代 的 Substituted	g	现 行 的 Current	被 取 代 的 Substituted	g	mm			N		rpm
20	HK 2025	7943/20	28	-	-	-	20	26	25	9 100	14 800	9 900
	HK 2030	-	34.7	BK 2030	-	37.4	20	26	30	21 800	40 000	10 100
	HK 20x27x18	-	78	-	-	-	20	27	18	26 000	47 200	9 900
	HK 20x27x20	-	82	-	-	-	20	27	20	26 300	47 800	9 900
	HK 20x27x30	-	94	-	-	-	20	27	30	28 500	48 800	9 900
	HK 20x28x16	47942/20	28.5	-	-	-	20	28	16	29 600	49 800	9 900
	HK 20x29x18	-	41	-	-	-	20	29	18	30 900	54 600	9 900
22	HK 22x28x7.5 TN	-	8.8	-	-	-	22	28	7.5	5 200	7 000	10 010
	HK 2210	27941/22	12.3	-	-	-	22	28	10	7 200	9 500	10 010
	HK 2212	37941/22	15	BK 2212	35941/22	18.1	22	28	12	8 100	10 400	10 010
	HK 2216	57941/22	20.9	BK 2216	55941/22	24.3	22	28	16	11 400	18 100	10 010
	HK 2220	77941/22	26.2	BK 2220	75941/22	29.9	22	28	20	14 500	25 000	10 010
	HK 2230	-	32	-	-	-	22	28	30	17 500	30 400	9 000
	HK 22x29x25	-	37	-	-	-	22	29	25	18 100	31 500	9 000
	HK 22x29x30	-	43	-	-	-	22	29	30	19 400	33 100	9 000
	HK 22x30x14	37942/22	21.9	-	-	-	22	30	14	19 800	34 000	9 000
24	HK 24x30x7.5 TN	-	10.6	-	-	-	24	30	7.5	5 800	7 200	10 000
25	HK 2512	27941/25	20	BK 2512	25941/25	23.2	25	32	12	10 000	14 200	9 000
	HK 2514	37941/25	21.9	-	-	-	25	32	14	13 600	18 700	9 000
	HK 2516	7941/25	27.3	BK 2516	7941/25	31	25	32	16	13 600	20 000	9 000
	HK 2518	57941/25	28.2	-	-	-	25	32	18	17 500	25 800	9 000
	HK 2520	67941/25	34.1	BK 2520	65941/25	38.7	25	32	20	17 900	30 000	9 000
	HK 2525	7943/25	40	-	-	-	25	32	25	22 200	36 700	9 000
	HK 2526	-	44.8	BK 2526	-	49	25	32	26	22 500	42 000	9 000
	HK 2538	87941/25	64.7	BK2538	85941/25	69	25	32	38	30 000	58 000	9 000
	HK 25x33x10	-	17	-	-	-	25	33	10	34 800	69 600	9 000
	HK 25x33x15	-	27.4	-	-	-	25	33	15	35 700	70 000	9 000
	HK 25x35x20	57942/25	44.9	-	-	-	25	35	20	36 100	78 650	9 000
28	HK 2816	47941/28	30.1	BK 2816	45941/28	34.1	28	35	16	15 400	22 500	8 700
	HK 2818	57941/28	31.7	-	-	-	28	35	18	18 500	29 300	8 700
	HK 2820	67941/28	37.6	BK 2820	65941/28	43	28	35	20	18 900	32 000	8 700
30	HK 3012	27941/30	24	BK 3012	25941/30	27.9	30	37	12	10 100	16 200	8 100
	HK 3016	47941/30	32	BK 3016	45941/30	37.1	30	37	16	15 200	27 000	8 100
	HK 3018	57941/30	33.6	-	-	-	30	37	18	19 200	31 500	8 100
	HK 3020	67941/30	40.1	BK 3020	65941/30	46.5	30	37	20	19 700	33 500	8 100
	HK 3026	-	52.9	BK 3026	-	59.4	30	37	26	24 000	50 000	8 100
	HK 3038	-	76.1	BK 3038	-	82.8	30	37	38	32 500	74 000	8 100
	HK 30x38x12	27941/30K	28	-	-	-	30	38	12	38 100	80 000	8 100
	HK 30x38x16	7941/30	32.7	-	-	-	30	38	16	39 000	82 000	8 100
	HK 30x38x24	7942/30	49	-	-	-	30	38	24	39 910	88 800	8 100

■ 冲压外圈滚针轴承

Drawn cup needle roller bearings



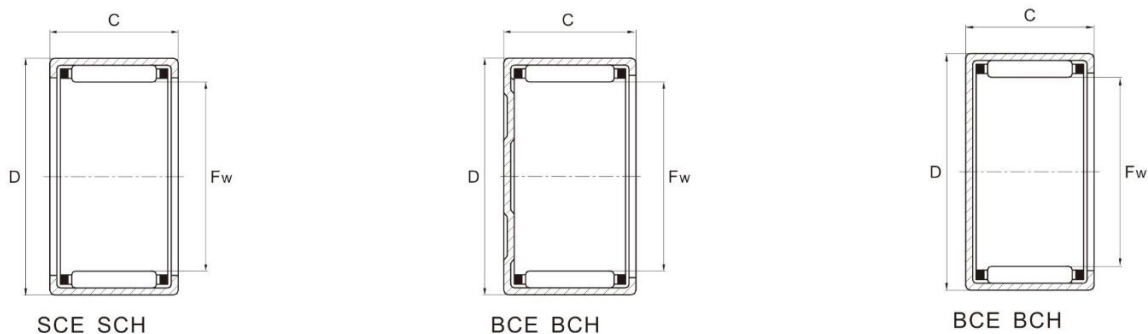
轴径 Shaft Diameter	轴承型号与近似重量 Bearing Designation and mass approx						外形尺寸 Boundary Dimensions			基本额定负荷 Basic Load Rating		极限转速 Limiting Speed
	穿孔型 Open end		重量 Mass	封口型 Closed end		重量 Mass	F _w	D	C	动Cr Dynamic	静Cor Static	润滑油 Oil
mm	现行的 Current	被取代的 Substituted	g	现行的 Current	被取代的 Substituted	g	mm			N		rpm
30	HK 30x38x32	7943/30	69	-	-	-	30	38	32	38 890	88 700	8 100
32	HK 32x38x11	-	17	-	-	-	32	38	11	19 700	43 200	7 800
	HK 3224	77941/32	50.7	-	-	-	32	39	24	25 500	52 000	7 300
	HK 3232	97941/32	66.4	-	-	-	32	39	32	22 600	54 300	7 100
	HK 32x40x32	7943/32	72.7	-	-	-	32	40	32	27 990	59 890	7 100
35	HK 3512	27941/35	27.7	BK 3512	25941/35	32.9	35	42	12	12 100	19 300	7 100
	HK 3516	47941/35	36.9	BK 3516	45941/35	43.8	35	42	16	15 700	27 500	7 100
	HK 3520	67914/35	46.1	BK 3520	65941/35	54.8	35	42	20	20 800	41 000	7 100
	HK 35x43x16	7941/35	37	-	-	-	35	43	16	24 200	47 100	6 200
	HK 35x43x25	7942/35	60.5	-	-	-	35	43	25	24 440	48 200	6 200
	HK 35x43x32	7943/35	80	-	-	-	35	43	32	24 870	48 880	6 200
	HK 35x45x12	-	31	-	-	-	35	45	12	24 870	48 880	6 200
36	HK 36x42x12	-	23	-	-	-	36	42	12	15 000	21 000	6 000
38	HK 38x48x30	-	102	-	-	-	38	48	30	16 100	24 100	6 300
40	HK 4012	27941/40	31.1	BK 4012	25941/40	38.2	40	47	12	14 000	24 300	6 300
	HK 4016	47941/40	41.4	BK 4016	45941/40	51	40	47	16	20 000	38 500	6 300
	HK 4020	67941/40	51.8	BK 4020	65941/40	62	40	47	20	25 500	52 000	6 300
	HK 40x50x32	7942/40	114.3	-	-	-	40	50	32	23 000	42 000	6 000
	HK 40x50x38	7943/40	130.8	-	-	-	40	50	38	24 100	43 000	6 000
45	HK 4512	27941/45	34.8	BK 4512	25941/45	45	45	52	12	12 900	22 500	5 800
	HK 4516	47941/45	46.2	BK 4516	45941/45	56	45	52	16	19 300	38 000	5 800
	HK 4520	67941/45	56	BK 4520	65941/45	72	45	52	20	22 000	51 000	5 800
	HK 45x55x38	7943/45	135	-	-	-	45	55	38	27 600	61 000	5 300
50	HK 50x57x16	-	51.2	-	-	-	50	57	16	15 200	32 500	5 300
	HK 5012	27941/50	44.2	-	-	-	50	58	12	23 600	57 200	5 300
	HK 5020	57941/50	72	BK 5020	55941/50	87.3	50	58	20	28 000	60 000	5 300
	HK 5025	7943/50	90.1	BK 5025	5943/50	109	50	58	25	34 500	80 000	5 300
	HK 50x60x38	-	140	-	-	-	50	60	38	27 770	63 100	4 600
55	HK 5520	57941/55	78	BK 5020	55941/55	93.8	55	63	20	29 500	59 900	4 600
	HK 5525	77941/55	109	-	-	-	55	63	25	33 500	69 980	4 600
	HK 5528	87941/55	111	BK 5528	85941/55	132	55	63	28	39 090	98 000	4 600
60	HK 6012	-	49.2	BK 6012	-	77	60	68	12	12 400	29 000	4 100
	HK 6020	57941/60	86	BK 6020	55941/60	105	60	68	20	30 500	72 000	4 100
	HK 6032	87941/60	136	BK 6032	85941/60	164	60	68	32	50 000	131 000	4 100

脂润滑极限转速为表列数值的60%。

Limiting speed for oil lubrication. For grease lubrication, 60% of the values given in the tables is permissible.

■ 冲压外圈滚针轴承(英制系列)

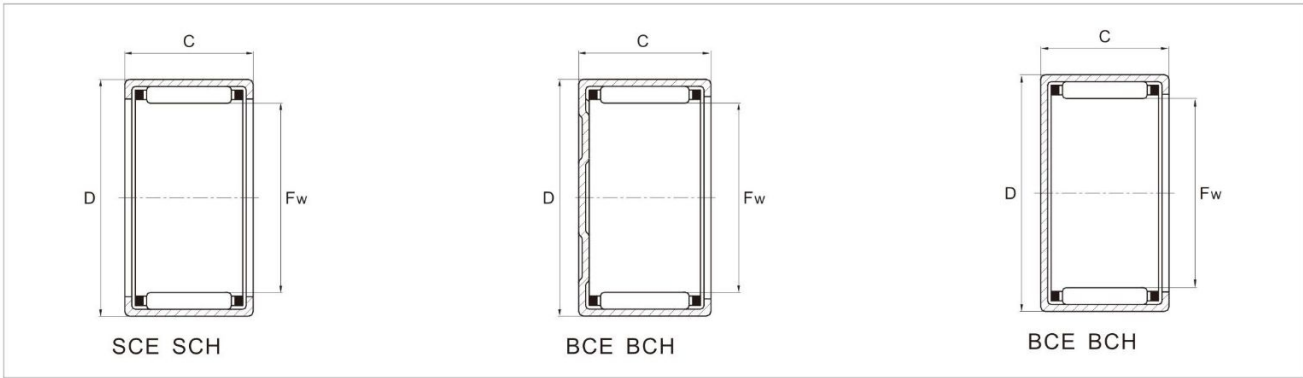
Drawn cup needle roller bearings (Inch series)



轴径 Shaft Diameter	轴承型号 Bearing Designation		外形尺寸 Boundary Dimensions			基本额定负荷 Basic Load Rating		极限转速 Limiting Speed
	穿孔型 Open end	封口型 Closed end	Fw	D	C	动 Cr Dynamic	静 Cor Static	
			mm			N		
3.175	SCE24TN	BCE24TN	3.175	6.350	6.350	1 070	740	31 500
3.969	SCE2-1/2-4	-	3.969	7.145	6.350	1 260	940	25 000
	SCE-1/2-4TN	-	3.969	7.145	6.350	1 230	910	25 000
4.762	SCE34TN	BCE34TN	4.762	8.731	6.350	1 790	1 360	21 000
	SCE36TN	BCE36TN	4.762	8.731	9.525	2 750	2 350	21 000
	SCE36	-	4.762	8.731	9.530	2 800	2 440	21 000
6.350	SCE44	BCE44	6.350	11.112	6.350	1 600	1 200	44 000
	SCE45	BCE45	6.350	11.112	7.938	2 500	2 090	44 000
	SCE47	BCE47	6.350	11.112	11.112	4 000	3 850	44 000
7.938	SCE55	BCE55	7.938	12.700	7.938	2 900	2 600	35 500
	SCE57	BCE57	7.938	12.700	11.112	4 700	4 850	35 500
	SCE59	BCE59	7.938	12.700	14.288	6 000	6 600	35 500
	SCH57	BCH57	7.938	14.288	11.112	4 750	4 100	35 500
9.525	SCE65	BCE65	9.525	14.288	7.938	2 900	2 700	29 500
	SCE66	BCE66	9.525	14.288	9.525	3 900	3 950	29 500
	SCE67	BCE67	9.525	14.288	11.112	4 350	4 600	29 500
	SCE68	BCE68	9.525	14.288	12.700	5 800	6 600	29 500
	SCE610	BCE610	9.525	15.875	15.875	7 400	9 000	29 500
11.112	SCH68	BCH68	9.525	15.875	12.700	7 100	7 100	29 500
	SCE78	BCE78	11.112	15.875	12.700	6 400	7 800	25 000
	SCE710	-	11.112	17.462	15.875	8 100	10 700	25 000
	SCH78	BCH78	11.112	17.462	12.700	7 900	8 200	25 000
12.700	SCE85	BCE85	12.700	17.462	7.938	3 650	3 950	22 000
	SCE86	BCE86	12.700	17.462	9.525	4 600	5 400	22 000
	SCE87	BCE87	12.700	17.462	11.112	5 900	7 400	22 000
	SCE88	BCE88	12.700	17.462	12.700	6 900	9 000	22 000
	SCE810	BCE810	12.700	17.462	15.875	8 800	12 300	22 000
	SCE812	BCE812	12.700	17.462	19.050	9 900	14 300	22 000
	SCH87	BCH87	12.700	19.050	11.112	7 340	7 800	22 000
	SCH88	BCH88	12.700	19.050	12.700	8 500	9 400	22 000
	SCH810	BCH810	12.700	19.050	15.875	10 500	12 400	22 000
	SCH812	BCH812	12.700	19.050	19.050	12 600	15 700	22 000
14.288	SCE95	-	14.288	19.050	7.938	4 000	4 700	19 600
	SCE96	BCE96	14.288	19.050	9.525	5 200	6 400	19 600
	SCE97	-	14.288	19.050	11.130	6 600	8 800	19 600
	SCE98	BCE98	14.288	19.050	12.700	7 700	10 800	19 600
	SCE910	BCE910	14.288	19.050	15.875	9 600	14 000	19 600
	SCE912	BCE912	14.288	19.050	19.050	10 700	16 400	19 600
	SCH98	BCH98	14.288	20.638	12.700	9 100	10 600	19 600
	SCH910	BCH910	14.288	20.638	15.875	12 000	15 000	19 600
15.875	SCH912	BCH912	14.288	20.638	19.050	14 400	19 000	19 600
	SCE105	BCE105	15.875	20.638	7.938	4 300	5 200	17 600
	SCE107	BCE107	15.875	20.638	11.112	6 600	9 300	17 600
	SCE107-1/2	BCE107-1/2	15.875	20.638	11.910	7 100	10 300	17 600
	SCE108	BCE108	15.875	20.638	12.700	8 100	12 000	17 600

■ 冲压外圈滚针轴承(英制系列)

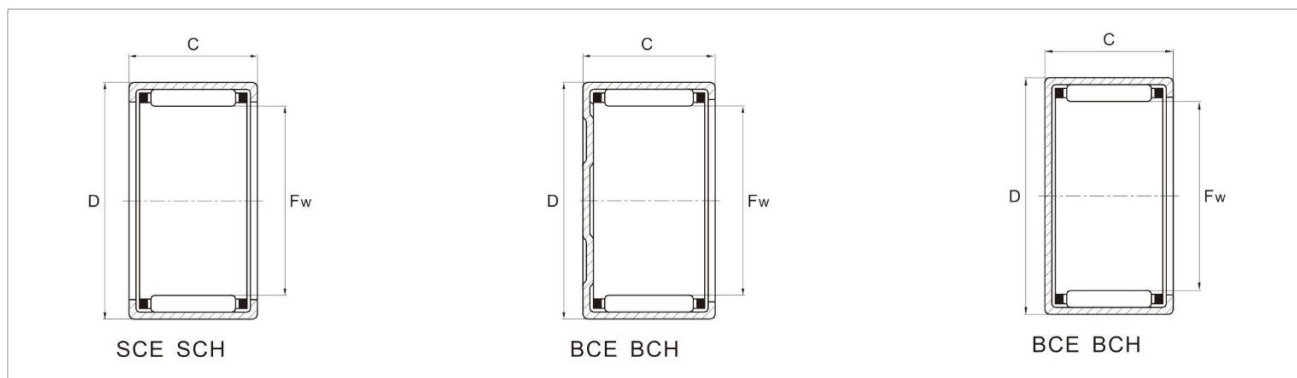
Drawn cup needle roller bearings (Inch series)



轴径 Shaft Diameter	轴承型号 Bearing Designation		外形尺寸 Boundary Dimensions			基本额定负荷 Basic Load Rating		极限转速 Limiting Speed
	穿孔型 Open end	封口型 Closed end	Fw	D	C	动 Cr	静 Cor	
						Dynamic	Static	
mm			mm			N		rpm
15.875	SCE1010	BCE1010	15.875	20.638	15.875	10 400	16 300	17 600
	SCE1012	BCE1012	15.875	20.638	19.050	12 100	19 700	17 600
	SCH108	BCH108	15.875	22.225	12.700	10 000	12 200	17 600
	SCH1010	BCH1010	15.875	22.225	15.875	12 700	16 700	17 600
	SCH1012	BCH1012	15.875	22.225	19.050	14 700	20 000	17 600
17.462	SCH1016	BCH1016	15.875	22.225	25.400	19 100	28 000	17 600
	SCE116	-	17.462	22.225	9.525	5 700	7 900	16 000
	SCE118	BCE118	17.462	22.225	12.700	8 600	13 200	16 000
	SCE1110	BCE1110	17.462	22.225	15.875	10 900	18 000	16 000
	SCE1112	BCE1112	17.462	22.225	19.050	12 400	21 000	16 000
	SCH117	BCH117	17.462	23.812	11.112	8 400	10 000	16 000
19.050	SCH1110	BCH1110	17.462	23.812	15.875	12 900	17 100	16 000
	SCH1112	BCH1112	17.462	23.812	19.050	15 900	22 700	16 000
	SCE126	BCE126	19.050	25.400	9.525	7 100	8 300	14 700
	SCE128	BCE128	19.050	25.400	12.700	9 800	12 500	14 700
	SCE1210	BCE1210	19.050	25.400	15.875	12 800	17 500	14 700
	SCE1212	BCE1212	19.050	25.400	19.050	15 300	22 100	14 700
20.638	SCH1212	BCH1212	19.050	26.988	19.050	18 500	23 600	14 700
	SCE136	-	20.638	26.988	9.525	7 100	8 400	13 600
	SCE138	BCE138	20.638	26.988	12.700	10 800	14 300	13 600
	SCE1312	BCE1312	20.638	26.988	19.050	15 900	23 700	13 600
	SCE1314	-	20.638	26.988	22.225	18 500	29 000	13 600
	SCH1310	BCH1310	20.638	28.575	15.875	15 900	20 700	13 600
22.225	SCH1312	BCH1312	20.638	28.575	19.050	19 200	26 500	13 600
	SCE146	BCE146	22.225	28.575	9.525	8 200	10 700	12 600
	SCE148	BCE148	22.225	28.575	12.700	11 200	15 800	12 600
	SCE1412	BCE1412	22.225	28.575	19.050	16 900	27 000	12 600
	SCE1416	BCE1416	22.225	28.575	25.400	22 100	38 000	12 600
	SCH1412	BCH1412	22.225	30.162	19.050	19 500	27 000	12 600
23.812	SCH1416	BCH1416	22.225	30.162	25.400	25 500	38 500	12 600
	SCE1516	BCE1516	23.812	30.162	25.400	24 100	43 000	11 800
	SCE166	BCE166	25.400	31.750	9.525	7 800	10 200	11 000
	SCE168	BCE168	25.400	31.750	12.700	12 600	19 100	11 000
	SCE1612	BCE1612	25.400	31.750	19.050	18 500	31 500	11 000
	SCE1616	BCE1616	25.400	31.750	25.400	24 800	45 500	11 000
25.400	SCH1610	BCH1610	25.400	33.338	15.875	16 700	22 700	11 000
	SCH1612	BCH1612	25.400	33.338	19.050	20 000	28 500	11 000
	SCH1616	BCH1616	25.400	33.338	25.400	28 900	46 300	11 000
	SCE186	BCE186	28.575	34.925	9.525	8 300	11 500	9 800
	SCE188	BCE188	28.575	34.925	12.700	12 800	20 200	9 800
	SCE1812	BCE1812	28.575	34.925	19.050	18 900	34 000	9 800
	SCE1816	BCE1816	28.575	34.925	25.400	26 000	49 500	9 800
	SCH1810	BCH1810	28.575	38.100	15.875	21 800	29 000	9 800
28.575	SCH1812	BCH1812	28.575	38.100	19.050	25 000	35 000	9 800
	SCH1816	BCH1816	28.575	38.100	25.400	31 500	46 500	9 800

■ 冲压外圈滚针轴承(英制系列)

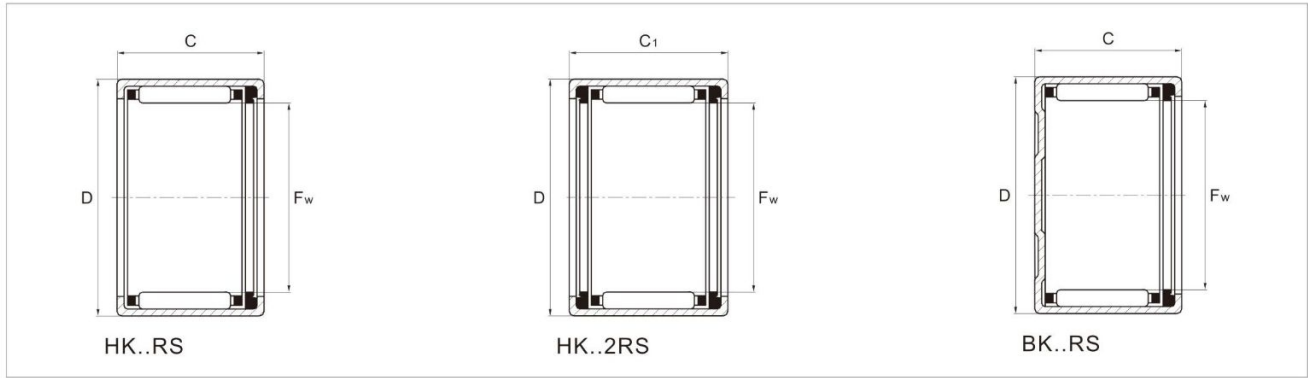
Drawn cup needle roller bearings (Inch series)



轴径 Shaft Diameter	轴承型号 Bearing Designation		外形尺寸 Boundary Dimensions			基本额定负荷 Basic Load Rating		极限转速 Limiting Speed
	穿孔型 Open end	封口型 Closed end	Fw	D	C	动 Cr Dynamic	静 Cor Static	
			mm			N		
28.575	SCH1818	BCH1818	28.575	38.100	28.580	40 500	65 000	9 800
	SCH1820	BCH1820	28.575	38.100	31.750	40 900	64 500	
30.162	SCE1916	-	30.162	38.100	25.400	33 000	57 000	9 300
31.750	SCE208	BCE208	31.750	38.100	12.700	13 500	22 200	8 800
	SCE2010	BCE2010	31.750	38.100	15.875	16 500	29 000	
	SCE2012	BCE2012	31.750	38.100	19.050	21 100	39 500	
	SCE2016	BCE2016	31.750	38.100	25.400	27 000	55 000	
	SCE2020	BCE2020	31.750	38.100	31.750	33 500	71 000	
	SCH208	BCH208	31.750	41.275	12.700	16 400	21 000	
	SCH2012	BCH2012	31.750	41.275	19.050	27 100	39 500	
	SCH2016	BCH2016	31.750	41.275	25.400	36 000	57 500	
33.338	SCE2110	-	33.338	41.275	15.875	21 100	34 000	8 400
	SCE228	BCE228	34.925	41.275	12.700	13 600	23 700	
34.925	SCE2212	BCE2212	34.925	41.275	19.050	21 500	42 500	8 000
	SCE2216	-	34.925	41.275	25.400	27 500	59 000	
	SCE2220	BCE2220	34.925	41.275	31.750	34 000	77 000	
	SCH2212	BCH2212	34.925	44.450	19.050	29 500	45 000	
	SCH2216	BCH2216	34.925	44.450	25.400	39 000	65 000	
38.100	SCE248	BCE248	38.100	47.625	12.700	18 600	26 000	7 400
	SCE2410	BCE2410	38.100	47.625	15.875	24 400	36 500	
	SCE2412	BCE2412	38.100	47.625	19.050	30 500	48 500	
	SCE2414	BCE2414	38.100	47.625	22.225	36 000	60 000	
	SCE2416	BCE2416	38.100	47.625	25.400	38 500	66 000	
	SCE2420	BCE2420	38.100	47.625	31.750	47 500	86 000	
41.275	SCE2610	BCE2610	41.275	50.800	15.875	25 500	40 000	6 800
	SCE2620	BCE2620	41.275	50.800	31.750	51 000	97 000	
44.450	SCE2812	BCE2812	44.450	53.975	19.050	31 500	55 000	6 300
	SCE2816	BCE2816	44.450	53.975	25.400	41 500	76 000	
	SCE2820	-	44.450	53.975	31.750	55 000	108 000	
	SCE2824	BCE2824	44.450	53.975	38.100	62 000	130 000	
50.800	SCE328	-	50.800	60.325	12.700	21 800	35 000	5 500
	SCE3210	-	50.800	60.325	15.875	28 500	49 500	
	SCE3216	BCE3216	50.800	60.325	25.400	41 500	80 000	
	SCE3220	-	50.800	60.325	31.750	55 000	116 000	
53.975	SCE348	-	53.975	63.500	12.700	5 200	39 000	5 200
	SCE3410	BCE3410	53.975	63.500	15.875	31 000	57 000	
	SCE3416	-	53.975	63.500	25.400	50 000	103 000	
57.150	SCE3612	BCE3612	57.150	66.675	19.050	37 500	72 000	4 900
	SCE3616	BCE3616	57.150	66.675	25.400	50 000	107 000	
69.850	SCE4412	BCE4412	69.850	79.375	19.050	38 500	80 000	4 000

■ 带密封圈的冲压外圈滚针轴承

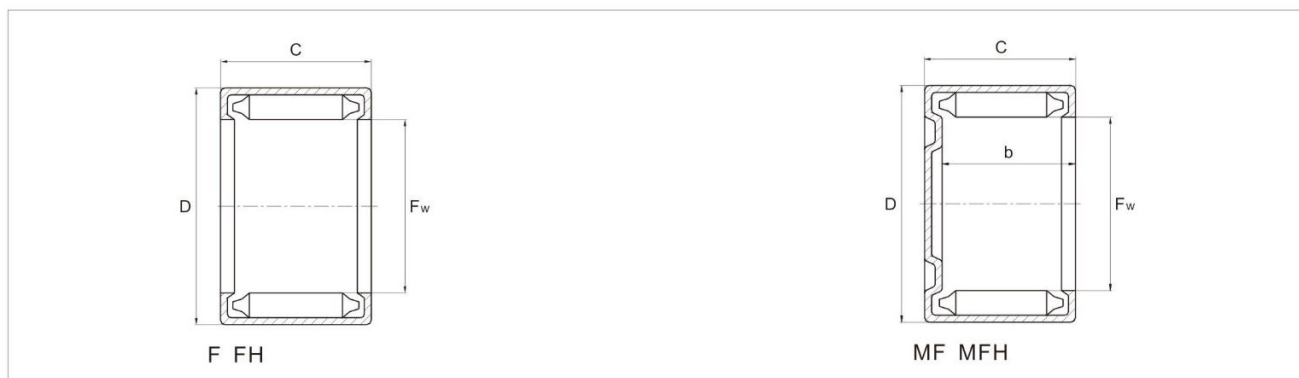
Sealed Drawn Cup Needle Roller Bearings



轴径 Shaft Diameter	轴承型号与近似重量 Bearing Designation and mass approx						外形尺寸 Boundary Dimensions				基本额定负荷 Basic Load Rating		极限转速 Limiting Speed
	穿孔型单面密封	重量 Mass	穿孔型双面密封	重量 Mass	封口型单面密封	重量 Mass	F _w	D	C	C ₁	动 C _r Dynamic	静 C _{0r} Static	脂润滑 Grease
mm	Open end,sealed on one side	g	Open end,sealed on both side	g	Close end,sealed on one side	g	mm				N		rpm
8	HK 0810 RS	2.9	HK 0812.2RS	3.5	-	-	8	12	10	12	2 250	2 100	19 000
9	HK 09x13x12 RS	4	-	-	-	-	9	13	12	-	3 800	4 300	19 000
10	HK 1012 RS	4.2	HK 1014.2RS	5.2	-	-	10	14	12	14	4 100	5 000	15 000
12	HK 1214 RS	10.7	HK 1216.2RS	11.5	-	-	12	18	14	16	6 100	7 000	12 000
13	HK 13x19x12 RS	8.9	-	-	-	-	13	19	12	-	6 800	7 580	13 000
14	HK 1414 RS	12	HK 1416.2RS	14	BK 1414 RS	14.1	14	20	14	16	6 100	7 500	11 000
15	HK 1514 RS	12.6	HK 1516.2RS	14.3	BK 1514 RS	14.4	15	21	14	16	6 800	8 800	10 000
	HK 1518 RS	16	HK 1520.2RS	18	-	-	15	21	18	20	9 500	11 400	10 000
16	HK 1614 RS	15.1	HK 1616.2RS	15.1	BK 1614 RS	15.3	16	22	14	16	7 200	9 200	10 000
	-	-	HK 1620.2RS	16.8	-	-	16	22	-	20	9 900	12 300	10 000
17	HK 17x25x14 RS	17.7	-	-	-	-	17	25	14	-	8 000	9 800	13 000
	HK 17x25x15.5 RS	20	-	-	-	-	17	25	15.5	-	9 320	10 400	13 000
	HK 17x25x18 RS	23.5	-	-	-	-	17	25	18	-	10 500	12 600	13 000
	HK 17x25x20 RS	26.2	-	-	-	-	17	25	20	-	11 600	13 200	13 000
18	HK 1814 S	15.1	HK 1816.2RS	17	-	-	18	24	14	16	7 800	9 900	9 200
20	HK 2012 RS	11.7	-	-	-	-	20	26	12	-	9 500	11 900	9 000
	-	-	HK 2016.2RS	18.8	-	-	20	26	-	16	8 000	10 100	8 200
	HK 2018 RS	21.4	HK 2020.2RS	23.5	BK 2018 RS	24.4	20	26	18	20	12 700	20 100	7 800
	HK 20x29x18 RS	28.8	-	-	-	-	20	29	18	-	8 700	9 980	9 000
22	HK 2212 RS	14	-	-	-	-	22	28	12	-	8 310	1 000	7 800
	HK 2214 RS	18.3	HK 2216.2RS	20.3	-	-	22	28	14	16	9 000	12 400	7 800
	HK 2218 RS	23.5	HK 2220.2RS	25.5	-	-	22	28	18	20	10 400	20 100	7 800
25	-	-	HK 2516.2RS	27.3	-	-	25	32	-	16	9 800	13 200	6 900
	HK 2518 RS	31	HK 2520.2RS	33.1	BK 2518 RS	35.3	25	32	18	20	13 600	20 000	6 900
	-	-	HK 2524.2RS	39.7	-	-	25	32	-	24	17 900	30 000	6 900
	-	-	HK 2530.2RS	47.3	-	-	25	32	-	30	24 500	43 000	6 900
28	-	-	HK 2820.2RS	36.9	-	-	28	35	-	20	11 400	22 500	5 300
	-	-	HK 3016.2RS	28.5	-	-	30	37	-	16	10 100	16 200	5 300
30	HK 3018 RS	36.6	HK 3020.2RS	39.1	-	-	30	37	18	20	16 200	26 000	5 300
	-	-	HK 3024.2RS	49.7	-	-	30	37	-	24	21 000	38 500	5 300
	-	-	HK 3516.2RS	36.4	-	-	35	42	-	16	10 100	20 300	4 900
35	HK 3518 RS	37.4	HK 3520.2RS	41.1	-	-	35	42	18	20	16 700	30 500	4 900
40	-	-	HK 4016.2RS	41.2	-	-	40	47	-	16	11 000	21 300	4 200
	HK 4018 RS	47.3	HK 4020.2RS	50.2	-	-	40	47	18	20	19 000	30 500	4 200
45	HK 4518 RS	54.2	HK 4520.2RS	57.4	-	-	45	52	18	20	20 300	41 000	3 800
50	HK 5022 RS	77.2	HK 5024.2RS	84	-	-	50	58	22	24	30 000	61 000	3 200

■ 冲压外圈满装滚针轴承

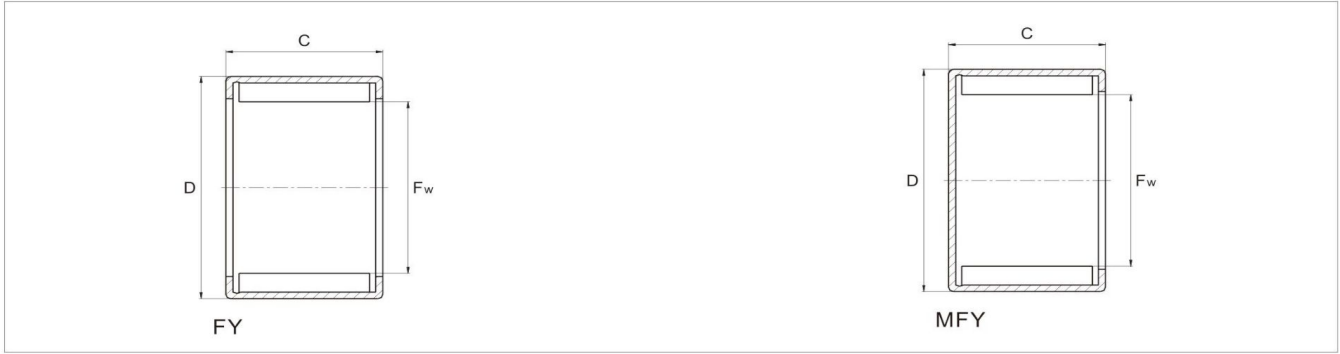
Drawn Cup Full Complement Needle Roller Bearings



轴径 Shaft Diameter	轴承型号与近似重量 Bearing Designation and mass approx						外形尺寸 Boundary Dimensions			基本额定负荷 Basic Load Rating		极限转速 Limiting Speed
	穿孔型 Open end		重量 Mass	封口型 Closed end		重量 Mass	F _w	D	C	动Cr Dynamic	静Cor Static	脂润滑 Grease
	现行的 Current	被取代的 Substituted	g	现行的 Current	被取代的 Substituted	g	mm			N		rpm
6	F-0608	30941/6	2.5	-	-	-	6	10	8	3 080	5 800	12 000
6.35	F 6.35x11.11x11.13	B-47	3.2	MF 6.35x11.11x11.13	M-471	4.1	6.35	11.11	11.13	3 500	6 050	12 000
8	F-0810	50941/8	3.7	-	-	-	8	12	10	4 050	7 150	13 000
	FH-0810	941/8	7	-	-	-	8	14	10	5 200	7 150	7 400
	FH-0812	942/8	9	-	-	-	8	14	12	4 550	7 150	7 400
9	F-0910	50941/9	4	-	-	-	9	13	10	4 900	8 050	12 000
	FH-0910	941/9	6	-	-	-	9	15	10	8 000	11 500	7 100
	FH 9x15x13	942/9	8	-	-	-	9	15	13	8 560	12 800	7 100
9.52	F 9.52x14.29x12.70	B-68	7.5	-	-	-	9.52	14.29	12.7	9 000	13 300	7 100
10	F-1010	50941/10	4.2	-	-	-	10	14	10	5 700	9 350	11 000
	FH-1010	941/10	6.5	-	-	-	10	16	10	6 350	10 800	11 000
	F 10x16x15	942/10	12	-	-	-	10	16	15	6 890	11 500	7 100
12	F-1212	60941/12	6	-	-	-	12	16	12	6 380	10 900	7 100
	F 12x17x12	941/12	8	-	-	-	12	17	12	8 400	11 900	7 100
	F 12x17x15	942/12	10.5	-	-	-	12	17	15	9 000	12 500	7 100
	F 12x17x18	943/12	13	-	-	-	12	17	18	9 800	13 500	7 100
15	F 15x20x12	941/15	10	-	-	-	15	20	12	8 400	11 900	7 100
	F 15x20x16	942/15	13.6	-	-	-	15	20	16	9 500	12 800	7 100
	F 15x20x20	943/15	17.2	-	-	-	15	20	20	10 500	16 000	7 100
	FY 15x20x20	Y/152020	20	-	-	-	15	20	20	10 500	16 000	7 100
16	F-1616	30941/16	12	-	-	-	15	21	12	9 700	15 900	8 100
17	F-1716	50941/16	17	-	-	-	16	22	16	14 100	25 900	7 700
	F-1712	30941/17	13	-	-	-	17	23	12	10 600	21 600	7 300
	F-1714	941/17	15	-	-	-	17	23	14	12 500	22 500	7 300
18	F-1718	942/17	21	-	-	-	17	23	18	13 800	24 800	7 300
	F-1816	50941/18	18	-	-	-	18	24	16	15 000	29 100	6 900
	F-2014	941/20	17	-	-	-	20	26	14	15 800	40 500	6 900
20	F-2020	942/20	26	-	-	-	20	26	20	18 800	42 500	6 900
	F 20x26x25	943/20	33	-	-	-	20	26	25	20 500	35 500	6 300
	F-2516	941/25	28	-	-	-	25	32	16	18 700	37 900	5 100
25	F-2522	942/25	40	-	-	-	25	32	22	11 000	16 500	5 100
	F 25x32x25	943/25	43	-	-	-	25	32	25	11 500	18 500	5 100
	F 25x33x08	Y/253308	16.7	-	-	-	25	33	8	12 200	16 800	4 300
28	F-2820	60941/28	118	-	-	-	28	35	20	25 700	58 300	4 600
30	F-3020	60941/30	42	MF-3020	65941/30	48	30	37	20	26 800	62 500	4 300
	F 30x38x16	941/30	37.5	-	-	-	30	38	16	25 500	57 500	4 600
	F 30x38x24	942/30	37.5	-	-	-	30	38	24	28 800	64 500	4 300
32	F 30x38x32	943/30	81.5	-	-	-	30	38	32	34 500	78 900	4 300
32	F-3216	40941/32	35	-	-	-	32	39	16	25 800	61 500	4 300

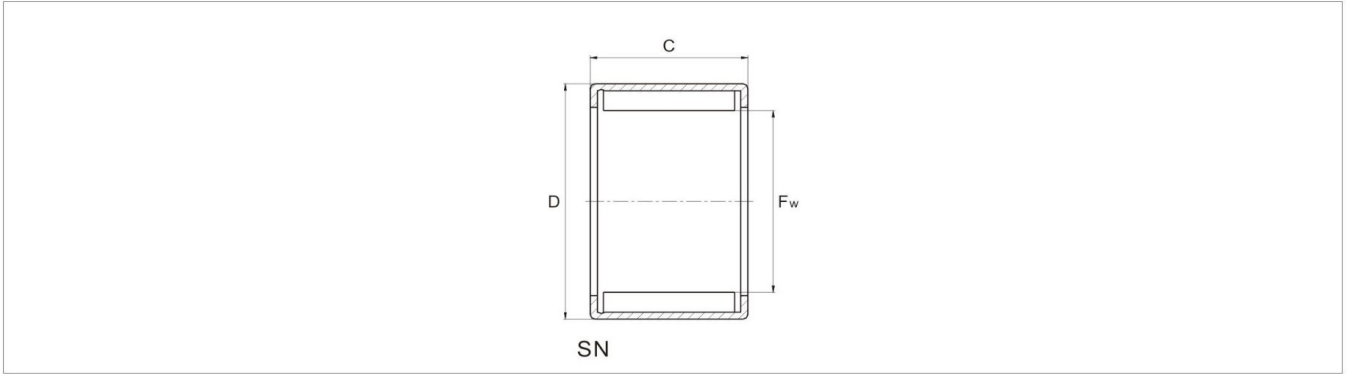
■ 冲压外圈满装滚针轴承

Drawn cup full complement needle roller bearings



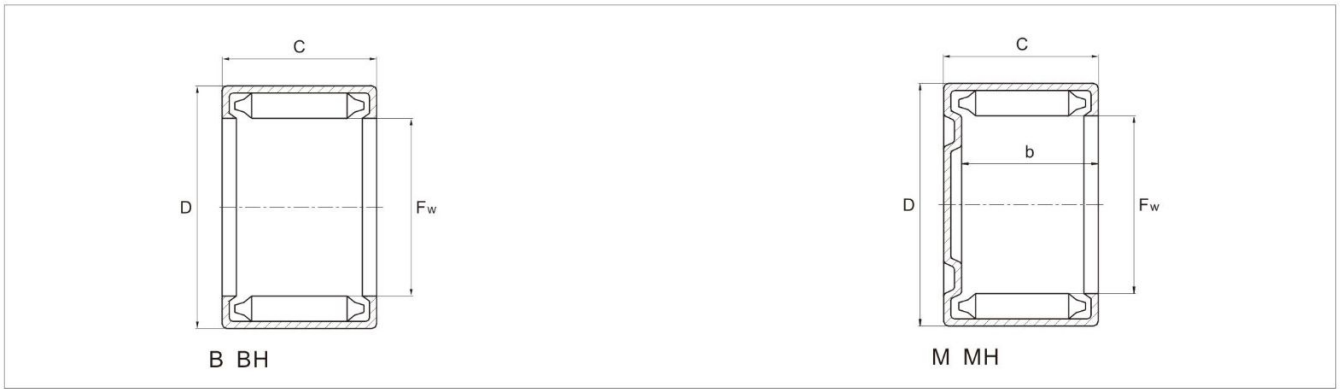
轴径 Shaft Diameter	轴承型号与近似重量 Bearing Designation and mass approx						外形尺寸 Boundary Dimensions			基本额定负荷 Basic Load Rating		极限转速 Limiting Speed
	穿孔型 Open end		重量 Mass	封口型 Closed end		重量 Mass	F _w	D	C	动Cr Dynamic	静Co Static	脂润滑 Grease
	现行的 Current	被取代的 Substituted	g	现行的 Current	被取代的 Substituted	g	mm			N		rpm
35	F - 3520	60941/35	49	-	-	-	35	42	20	24 000	69 100	3 700
	F 35x43x16	941/35	41	-	-	-	35	43	16	23 500	68 000	3 700
	F 35x43x25	942/35	72	-	-	-	35	43	25	38 700	86 200	3 200
	F 35x43x32	943/35	90	-	-	-	35	43	32	40 500	97 800	3 200
40	F - 4020	60941/40	56	-	-	-	40	47	20	30 300	82 600	3 300
	FH - 4032	942/40	88	MFH - 4032	86942/40	95	40	50	32	42 500	108 000	2 600
	FH 40x50x38	943/40	105	-	-	-	40	50	38	44 800	118 500	2 600
45	F - 4520	-	62	-	-	-	45	52	20	30 400	90 100	2 900
	FH 45x55x38	943/45	140	-	-	-	45	55	38	45 800	128 000	2 900
50	F - 5020	50941/50	78	-	-	-	50	58	20	35 800	98 000	2 600
	FH 50x60x38	943/50	145	-	-	-	50	60	38	50 500	145 800	2 600
60	F 60x68X40	943/60	185	-	-	-	60	68	40	50 200	145 000	2 600

■ 冲压外圈满装滚针轴承(英制系列) Drawn cup full complement needle roller bearings(Inch series)



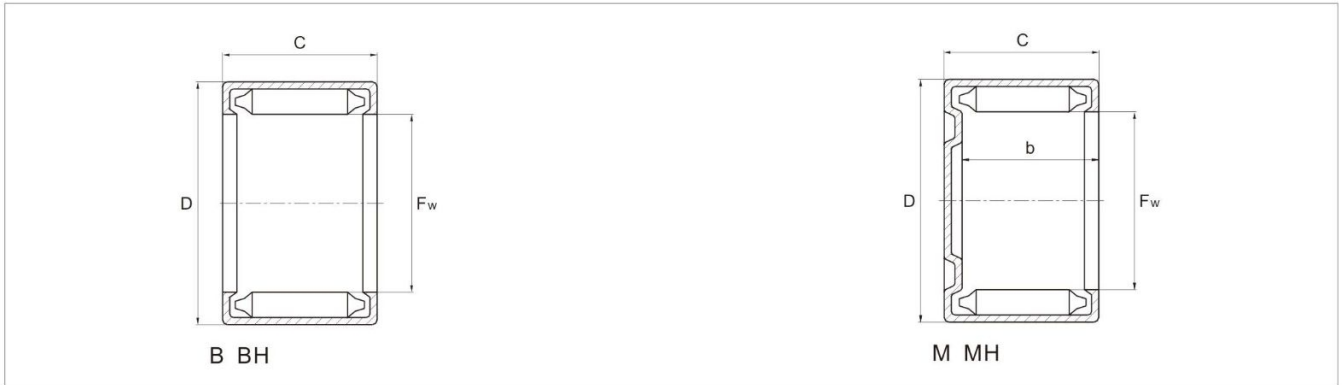
轴 径 Shaft Diameter	轴 承 型 号 Bearing Designation		外 形 尺 寸 Boundary Dimensions			基 本 额 定 负 荷 Basic Load Rating		极 限 转 速 Limiting Speed
	穿 孔 型 Open end	封 口 型 Closed end	Fw	D	C	动 Cr Dynamic	静 Cor Static	
mm			mm			N		rpm
6.35	SN45	-	6.350	11.112	7.938	4 350	4 900	10 000
7.938	SN55	-	7.938	12.700	7.938	5 600	6 200	8 300
	SN56	-	7.938	12.700	9.525	6 800	8 000	8 300
9.525	SN57	-	7.938	12.700	11.113	6 200	5 800	8 300
	SN65	-	9.525	14.288	7.938	6 200	7 400	7 100
	SN66	-	9.525	14.288	9.525	5 800	5 300	7 100
11.112	SN68	-	9.525	14.288	12.700	7 700	7 700	7 100
	SN76	-	11.112	15.875	9.525	7 600	11 000	6 300
	SN78	-	11.112	15.875	12.700	9 900	16 000	6 300
12.700	SN88	-	12.700	17.462	12.700	11 800	18 400	5 600
	SN810	-	12.700	17.462	15.875	12 900	23 600	5 600
	SN812	-	12.700	17.462	19.050	15 900	29 500	5 600
15.875	SN105	-	15.875	20.638	7.938	6 400	6 700	4 550
17.462	SN116	-	17.462	22.225	9.525	9 300	17 100	4 200
19.050	SN128	-	19.050	25.400	12.700	15 000	25 000	3 750
22.225	SN148	-	22.225	28.575	12.700	17 400	31 500	3 250
28.575	SN1816	-	28.575	34.925	25.400	36 500	90 000	2 600

■ 冲压外圈满装滚针轴承(英制系列) Drawn cup full complement needle roller bearings(Inch series)



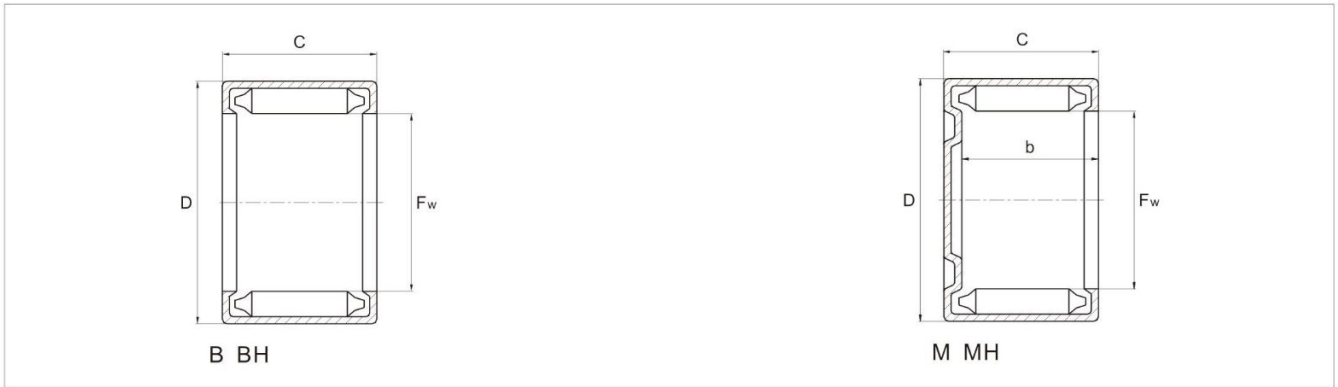
轴 径 Shaft Diameter	轴 承 型 号 Bearing Designation		外 形 尺 寸 Boundary Dimensions			基 本 额 定 负 荷 Basic Load Rating		极 限 转 速 Limiting Speed
	穿 孔 型 Open end	封 口 型 Closed end	Fw	D	C	动 Cr	静 Cor	
						Dynamic	Static	
mm			mm			N		rpm
6.35	B-44	M-441	6.35	11.11	6.35	566	531	10 000
	B-45	M-451	6.35	11.11	7.92	768	786	10 000
	B-47	M-471	6.35	11.11	11.13	1 210	1 410	10 000
7.94	B-55	M-551	7.94	12.70	7.92	883	985	8 300
	B-56	-	7.94	12.70	9.52	1 140	1 370	8 300
	B-57	M-571	7.94	12.70	11.13	1 390	1 770	8 300
	B-59	-	7.94	12.70	14.27	1 850	2 550	8 300
	BH-57	-	7.94	14.29	11.13	1 530	1 590	11 000
	BH-59	-	7.94	14.29	14.27	2 080	2 340	11 000
9.52	B-65	M-651	9.52	14.29	7.92	984	1 180	7 100
	B-66	M-661	9.52	14.29	9.52	1 280	1 650	7 100
	B-67	-	9.52	14.29	11.13	1 550	2 120	7 100
	B-68	M-681	9.52	14.29	12.70	1 810	2 590	7 100
	B-69	-	9.52	14.29	14.27	2 070	3 070	7 100
	B-610	M-6101	9.52	14.29	15.88	2 310	3 530	7 100
11.11	BH-68	-	9.52	15.88	12.70	2 050	2 380	9 400
	B-76	-	11.11	15.88	9.52	1 390	1 930	6 300
	B-77	-	11.11	15.88	11.13	1 700	2 480	6 300
	B-78	M-781	11.11	15.88	12.70	1 980	3 030	6 300
	B-710	-	11.11	15.88	15.88	2 520	4 130	6 300
12.70	BH-78	-	11.11	17.46	12.70	2 260	2 780	8 300
	B-85	-	12.70	17.46	7.92	1 160	1 580	5 500
	B-86	M-861	12.70	17.46	9.52	1 500	2 200	5 500
	B-87	M-871	12.70	17.46	11.13	1 830	2 840	5 500
	B-88	M-881	12.70	17.46	12.70	2 130	3 460	5 500
	B-810	M-8101	12.70	17.46	15.88	2 720	4 720	5 500
	B-812	M-8121	12.70	17.46	19.05	3 260	5 980	5 500
	BH-87	-	12.70	19.05	11.13	2 060	2 550	7 500
	BH-88	-	12.70	19.05	12.70	2 450	3 180	7 500
	BH-810	-	12.70	19.05	15.88	3 180	4 440	7 500
14.29	BH-812	-	12.70	19.05	19.05	3 850	5 690	7 500
	B-95	M-951	14.29	19.05	7.92	1 240	1 780	5 000
	B-96	-	14.29	19.05	9.52	1 600	2 480	5 000
	B-97	-	14.29	19.05	11.13	1 950	3 190	5 000
	B-98	-	14.29	19.05	12.70	2 280	3 900	5 000
	B-910	-	14.29	19.05	15.88	2 900	5 310	5 000
	B-912	M-9121	14.29	19.05	19.05	3 480	6 730	5 000
	BH-98	-	14.29	20.64	12.70	2 630	3 580	6 800
	BH-910	-	14.29	20.64	15.88	3 400	5 000	6 800
15.88	BH-912	-	14.29	20.64	19.05	4 130	6 410	6 800
	B-105	-	15.88	20.64	7.92	1 310	1 980	4 500
	B-107	M-1071	15.88	20.64	11.13	2 070	3 550	4 500
	B-108	M-1081	15.88	20.64	12.70	2 410	4 330	4 500
	B-1010	-	15.88	20.64	15.88	3 070	5 900	4 500
B-1012	M-10121	15.88	20.64	19.05	3 690	7 480	4 500	

■ 冲压外圈满装滚针轴承(英制系列) Drawn cup full complement needle roller bearings(Inch series)



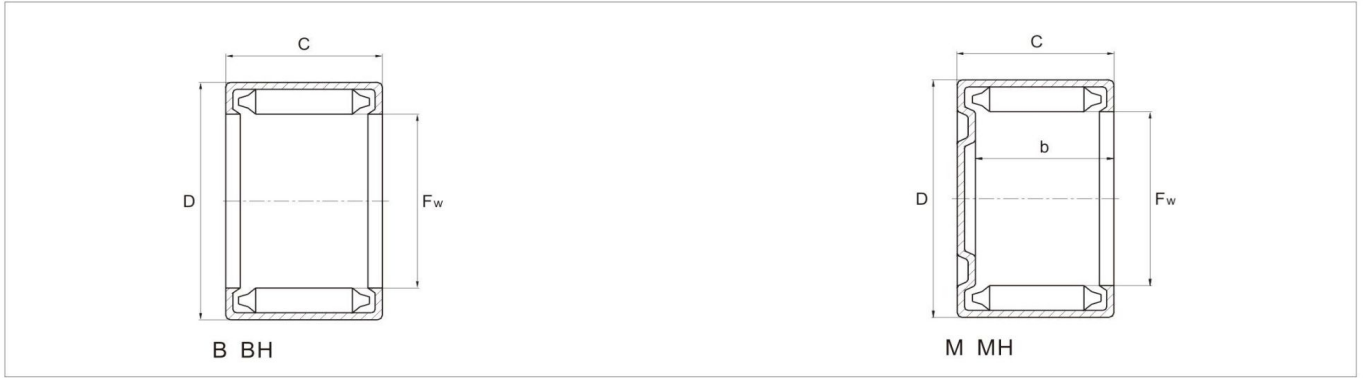
轴径 Shaft Diameter	轴承型号 Bearing Designation		外形尺寸 Boundary Dimensions			基本额定负荷 Basic Load Rating		极限转速 Limiting Speed
	穿孔型 Open end	封口型 Closed end	Fw	D	C	动 Cr	静 Cor	
						Dynamic	Static	
mm			mm			N		rpm
15.88	BH-108	MH-1081	15.88	22.22	12.70	2 790	3 980	6 200
	BH-1010	-	15.88	22.22	15.88	3 620	5 530	6 200
	BH-1012	-	15.88	22.22	19.05	4 390	7 130	6 200
	BH-1016	-	15.88	22.22	25.40	5 830	10 300	6 200
17.46	B-116	-	17.46	22.22	9.52	1 790	3 030	4 200
	B-118	-	17.46	22.22	12.70	2 540	4 770	4 200
	B-1110	M-11101	17.46	22.22	15.88	3 230	6 500	4 200
	B-1112	M-11121	17.46	22.22	19.05	3 880	8 230	4 200
	BH-117	-	17.46	23.81	11.13	2 480	3 510	5 700
	BH-1110	MH-11101	17.46	23.81	15.88	3 820	6 110	5 700
	BH-1112	-	17.46	23.81	19.05	4 640	7 840	5 700
	BH-1122	-	17.46	23.81	25.40	5 830	10 300	6 200
19.05	B-126	-	19.05	25.40	9.52	2 100	2 900	5 500
	B-128	M-1281	19.05	25.40	12.70	3 100	4 790	5 500
	B-1210	M-12101	19.05	25.40	15.88	4 010	6 670	5 500
	B-1212	M-12121	19.05	25.40	19.05	4 870	8 560	5 500
20.64	B-136	-	20.64	26.99	9.52	2 190	3 140	5 200
	B-138	M-1381	20.64	26.99	12.70	3 240	5 190	5 200
	B-1314	-	20.64	26.99	22.22	5 940	11 300	5 200
	B-1316	M-13161	20.64	26.99	25.40	6 760	13 400	5 200
	BH-1310	-	20.64	28.58	15.88	4 320	6 510	6 200
	BH-1312	-	20.64	28.58	19.05	5 340	8 550	6 200
22.22	B-146	-	22.22	28.58	9.52	2 280	3 380	4 800
	B-148	-	22.22	28.58	12.70	3 370	5 590	4 800
	B-1412	M-14121	22.22	28.58	19.05	5 300	9 990	4 800
	B-1416	M-14161	22.22	28.58	25.40	7 040	14 400	4 800
	BH-1418	-	22.22	28.58	28.58	7 860	16 600	4 800
	BH-1410	-	22.22	30.16	15.88	4 470	7 030	5 880
	BH-1412	-	22.22	30.16	19.05	5 530	9 230	5 880
	BH-1416	-	22.22	30.16	25.40	7 480	13 600	5 880
23.81	B-158	-	23.81	30.16	12.70	3 500	5 990	4 500
	B-1516	M-15161	23.81	30.16	25.40	7 300	15 400	4 500
25.40	B-166	-	25.40	31.75	9.52	2 450	3 870	4 300
	B-167	-	25.40	31.75	11.13	3 050	5 120	4 300
	B-168	-	25.40	31.75	12.70	3 620	6 390	4 300
	B-1610	-	25.40	31.75	15.88	4 690	8 910	4 300
	B-1612	M-16121	25.40	31.75	19.05	5 690	11 400	4 300
	B-1616	M-16161	25.40	31.75	25.40	7 560	16 500	4 300
	BH-168	MH-1681	25.40	33.34	12.70	3 600	5 500	5 200
	BH-1610	-	25.40	33.34	15.88	4 830	8 020	5 200
	BH-1612	MH-16121	25.40	33.34	19.05	5 970	10 500	5 200
	BH-1616	MH-16161	25.40	33.34	25.40	8 090	15 600	5 200
	BH-1620	-	25.40	33.34	31.75	10 100	20 600	5 200
BH-1624	-	25.40	33.34	38.10	11 900	25 600	5 200	
26.99	B-1710	-	26.99	33.34	15.88	4 840	9 470	4 000
28.58	B-186	-	28.58	34.92	9.52	2 610	4 350	3 800

■ 冲压外圈满装滚针轴承(英制系列) Drawn cup full complement needle roller bearings(Inch series)



轴 径 Shaft Diameter	轴 承 型 号 Bearing Designation		外 形 尺 寸 Boundary Dimensions			基 本 额 定 负 荷 Basic Load Rating		极 限 转 速 Limiting Speed
	穿 孔 型 Open end	封 口 型 Closed end	Fw	D	C	动 Cr	静 Cor	
						Dynamic	Static	
mm			mm			N		rpm
28.58	B-188	-	28.58	34.92	12.70	3 850	7 190	3 800
	B-1812	-	28.58	34.92	19.05	6 060	12 900	3 800
	B-1816	M-18161	28.58	34.92	25.40	8 050	18 500	3 800
	BH-1812	-	28.58	38.10	19.05	6 920	11 500	5 500
	BH-1816	-	28.58	38.10	25.40	9 420	17 100	5 500
	BH-1820	-	28.58	38.10	31.75	11 800	22 900	5 500
30.16	B-1916	-	30.16	38.10	25.40	8 860	18 500	4 400
31.75	B-208	-	31.75	38.10	12.70	4 080	7 990	3 500
	B-2010	-	31.75	38.10	15.88	5 280	11 100	3 500
	B-2012	-	31.75	38.10	19.05	6 410	14 300	3 500
	B-2016	M-20161	31.75	38.10	25.40	8 510	20 600	3 500
	B-2020	M-20201	31.75	38.10	31.75	10 500	26 900	3 500
	BH-208	-	31.75	41.28	12.70	4 200	6 320	5 000
	BH-2012	-	31.75	41.28	19.05	7 250	12 700	5 000
	BH-2016	MH-20161	31.75	41.28	25.40	9 910	19 000	5 000
33.34	BH-2020	MH-20201	31.75	41.28	31.75	12 400	25 400	5 000
	B-218	-	33.34	41.28	12.70	4 180	7 220	4 000
	B-2110	-	33.34	41.28	15.88	5 600	10 500	4 000
	B-2120	-	33.34	41.28	31.75	11 700	27 200	4 000
34.92	B-228	-	34.92	41.28	12.70	4 280	8 790	3 200
	B-2212	-	34.92	41.28	19.05	6 730	15 700	3 200
	B-2216	-	34.92	41.28	25.40	8 950	22 700	3 200
	B-2220	-	34.92	41.28	31.75	11 000	29 600	3 200
	BH-2210	-	34.92	44.45	15.88	6 240	10 600	4 700
	BH-2212	-	34.92	44.45	19.05	7 770	14 100	4 700
	BH-2216	-	34.92	44.45	25.40	10 600	20 900	4 700
	BH-2220	-	34.92	44.45	31.75	13 200	28 000	4 700
38.10	B-248	-	38.10	47.62	12.70	4 780	7 830	4 300
	B-2410	-	38.10	47.62	15.88	6 500	11 600	4 300
	B-2412	-	38.10	47.62	19.05	8 090	15 400	4 300
	B-2414	-	38.10	47.62	22.22	9 590	19 200	4 300
	B-2416	M-24161	38.10	47.62	25.40	11 000	22 800	4 300
	B-2420	M-24201	38.10	47.62	31.75	13 800	30 500	4 300
41.28	B-268	-	41.28	50.80	12.70	4 920	8 390	3 900
	B-2610	-	41.28	50.80	15.88	6 710	12 500	3 900
	B-2616	-	41.28	50.80	25.40	11 400	24 800	3 900
	B-2620	-	41.28	50.80	31.75	14 300	33 000	3 900
44.45	B-2812	-	44.45	53.98	19.05	8 660	17 900	3 700
	B-2816	M-28161	44.45	53.98	25.40	11 800	26 700	3 700
	B-2820	-	44.45	53.98	31.75	14 800	35 500	3 700
	B-2824	-	44.45	53.98	38.10	17 600	44 300	3 700
47.62	B-308	-	47.62	57.15	12.70	5 380	9 790	3 500
	B-3012	-	47.62	57.15	19.05	9 100	19 200	3 500
	B-3016	-	47.62	57.15	25.40	12 400	28 600	3 500

■ 冲压外圈满装滚针轴承(英制系列) Drawn cup full complement needle roller bearings(Inch series)



轴 径 Shaft Diameter	轴 承 型 号 Bearing Designation		外 形 尺 寸 Boundary Dimensions			基 本 额 定 负 荷 Basic Load Rating		极 限 转 速 Limiting Speed
	穿 孔 型 Open end	封 口 型 Closed end	Fw	D	C	动 Cr Dynamic	静 Cor Static	
			mm			N		
50.80	B-328	-	50.80	60.32	12.70	5 490	10 300	3 300
	B-3216	M-32161	50.80	60.32	25.40	12 700	30 500	3 300
	B-3220	-	50.80	60.32	31.75	15 900	40 600	3 300
	B-3228	M-32281	50.80	60.32	44.45	21 800	60 700	3 300
52.39	BH-3312	-	52.39	64.29	19.05	10 100	19 000	4 000
	BH-3316	-	52.39	64.29	25.40	14 200	29 400	4 000
53.98	B-348	-	53.98	63.50	12.70	5 650	11 000	3 100
	B-3416	-	53.98	63.50	25.40	13 100	32 400	3 100
	B-3424	-	53.98	63.50	38.10	19 500	53 900	3 100
57.15	B-3612	-	57.15	66.68	19.05	10 100	12 000	3 000
	B-3620	-	57.15	66.68	31.75	17 300	23 800	3 000
	B-3624	-	57.15	66.68	38.10	20 500	29 700	3 000
66.68	B-4216	M-42161	66.68	76.20	25.40	14 800	20 600	2 500
69.85	B-4410	-	69.85	79.38	15.88	8 980	10 900	2 500
	B-4416	-	69.85	79.38	25.40	15 300	21 600	2 500
	B-4420	-	69.85	79.38	31.75	19 000	28 700	2 500